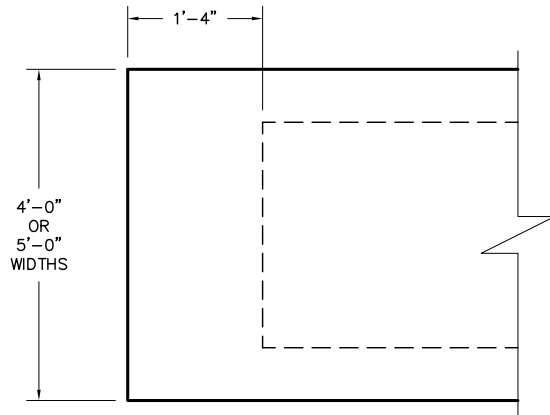
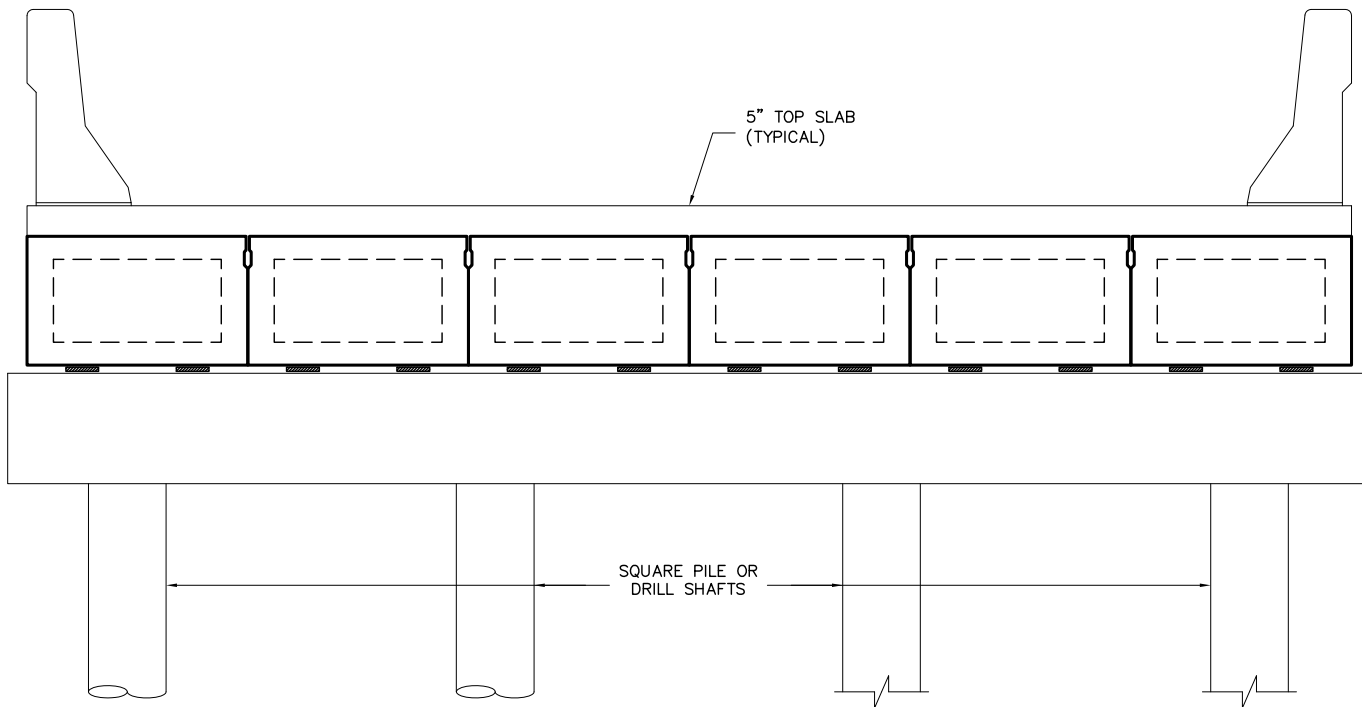


**BOX BEAM
SECTION VIEW**



**BOX BEAM
PLAN VIEW**



**BRIDGE
SECTION VIEW**

PROJECT: 4'-0" / 5'-0" BOX BEAM
BRIDGE STRUCTURE

LOCATION:

CONTRACTOR:

CONTROL NUMBER: —

P.O. NUMBER:

PROJECT NUMBER: —

ENGINEER:



P.O. BOX 450049, HOUSTON, TEXAS 77245
PHONE: (281) 437-5700 FAX: (281) 437-8913

DRAWN BY:
JDZ

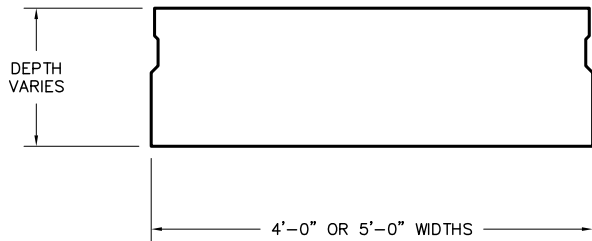
CHECKED BY:

DATE:

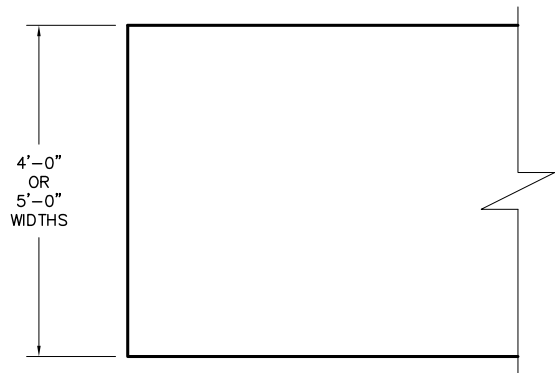
FILE NAME:
BOX BEAM

JOB NUMBER:

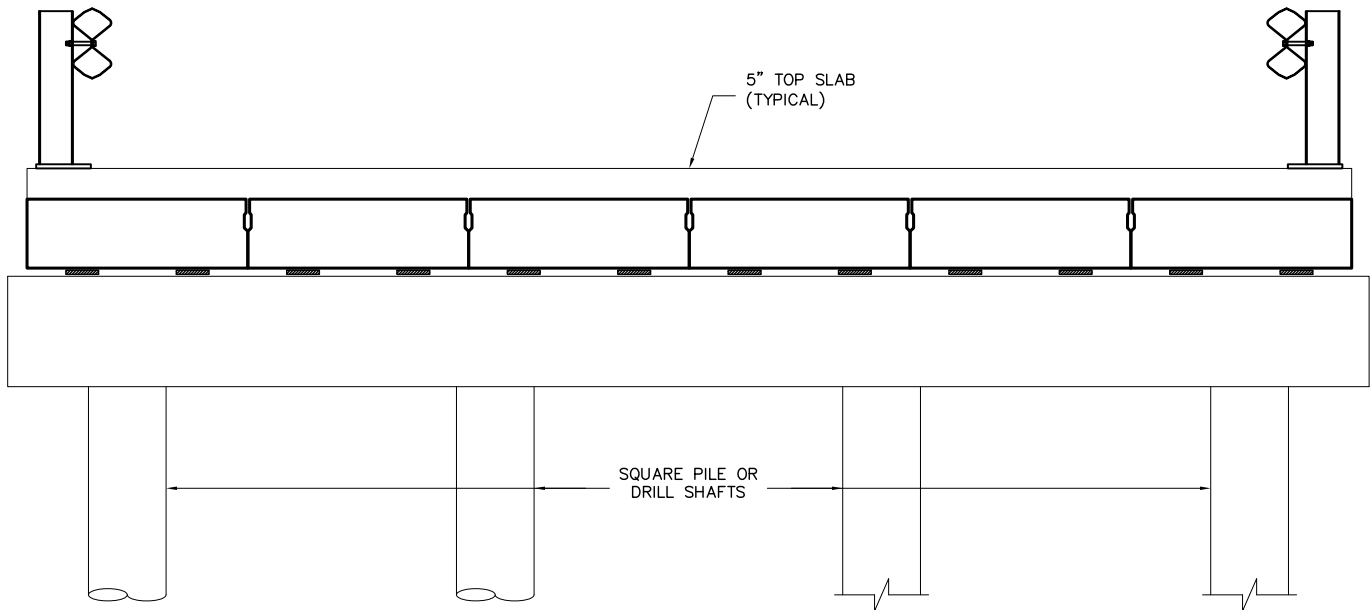
PAGE:
1 OF 1



**SLAB BEAM
SECTION VIEW**



**SLAB BEAM
PLAN VIEW**



**BRIDGE
SECTION VIEW**

PROJECT: 4'-0" / 5'-0" SLAB BEAM
BRIDGE STRUCTURE

LOCATION:

CONTRACTOR:

CONTROL NUMBER: —

P.O. NUMBER:

PROJECT NUMBER: —

ENGINEER:



P.O. BOX 450049, HOUSTON, TEXAS 77245
PHONE: (281) 437-5700 FAX: (281) 437-8913

DRAWN BY:
JDZ

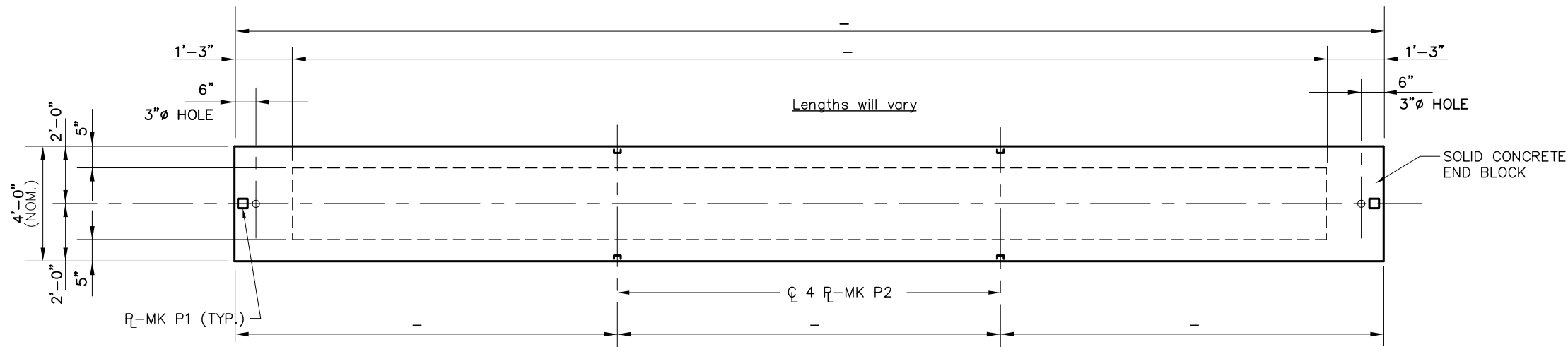
CHECKED BY:

DATE:

FILE NAME:
BOX BEAM

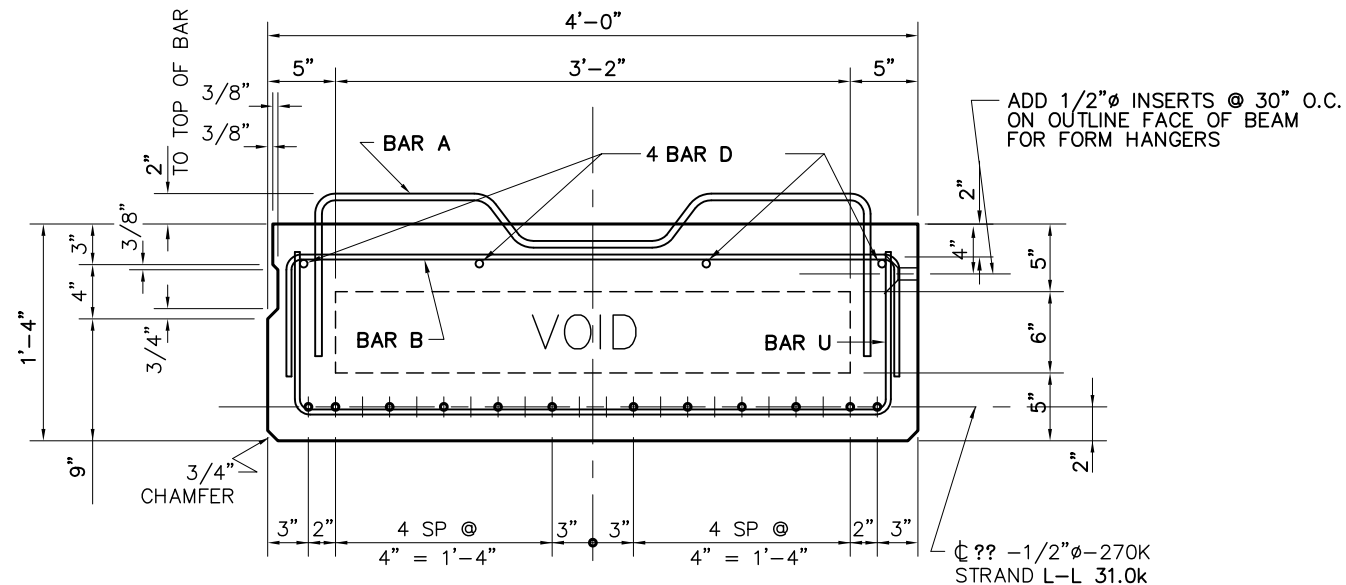
JOB NUMBER:

PAGE:
1 OF 1

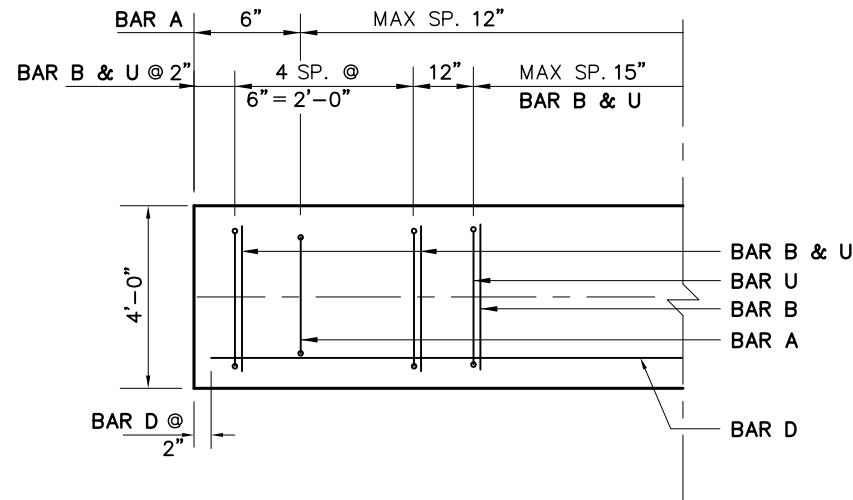


BEAM PLAN BB-1

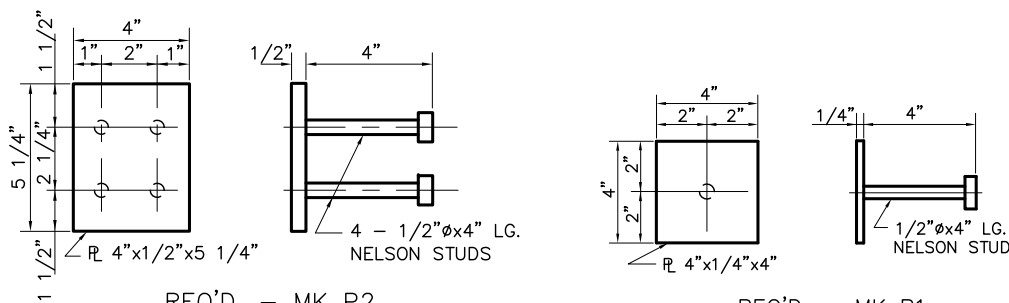
REQ'D. - ?



SECTION

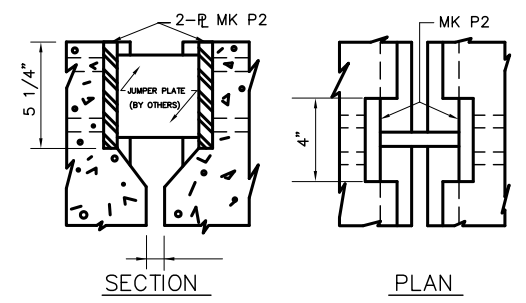


REINFORCING PLAN

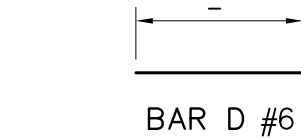


REQ'D. - MK P2
TYPICAL SHEAR CONNECTOR PLATE

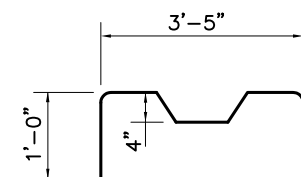
REQ'D. - MK P1
WELD PLATE



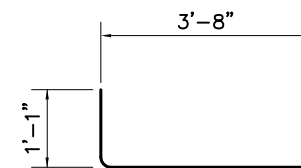
SECTION PLAN
SHEAR CONNECTION DETAIL



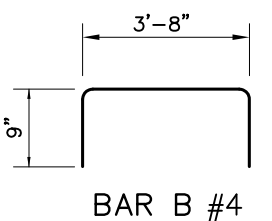
BAR D #6



BAR A #4



BAR U #4



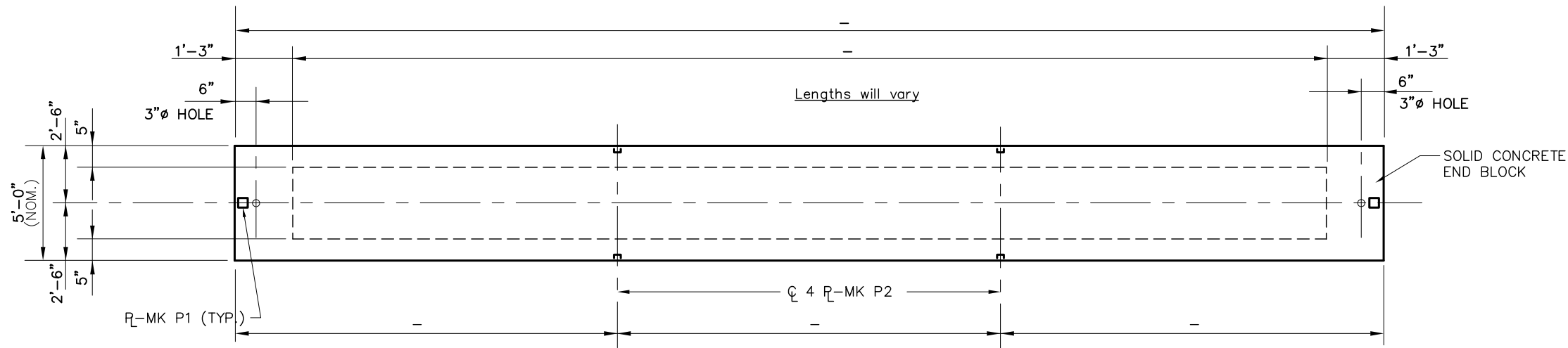
BAR B #4

REBAR			
Mk#		Qty.	
BAR B			
BAR D			
BAR A			
BAR U			
FOAM			
Width	Hght	Lngh	Qty.
CONCRETE			
Location		#Yds.	
Bottom			
Top			
Total			

CONCRETE STRENGTHS:
 RELEASE 4000psi.
 28-DAY 5000psi.
 BEAM WEIGHT 580LBS./LF APPROXIMATE

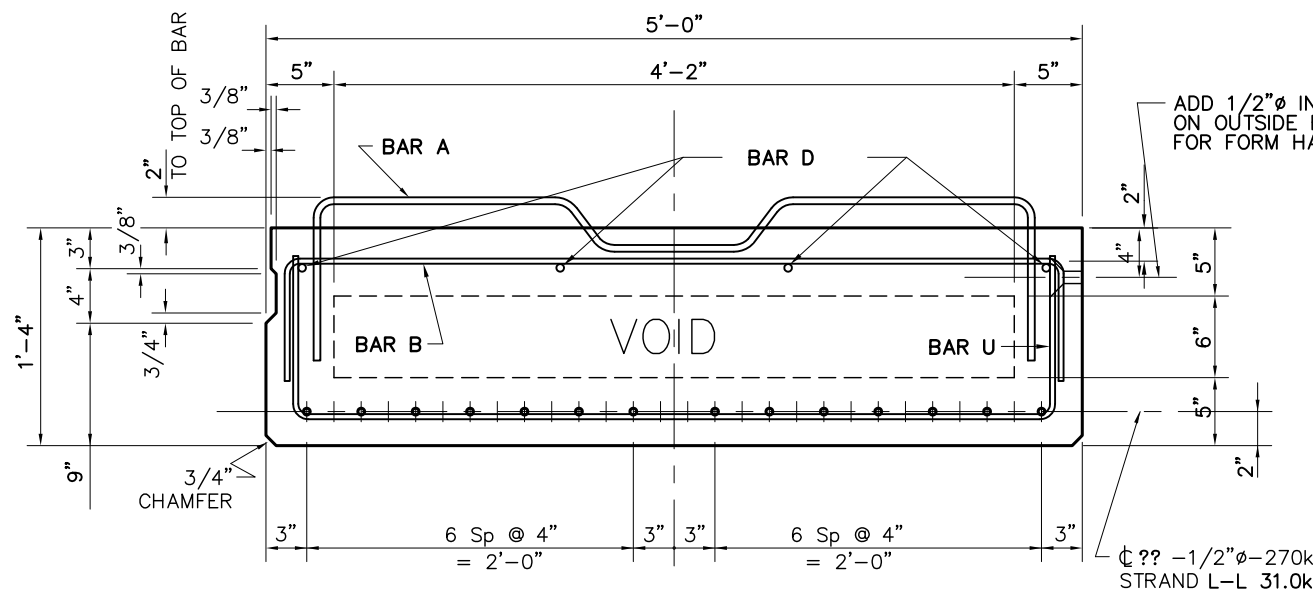
REVISIONS		PROJECT: 16" X 48" STANDARD BOX BEAM			DRAWN BY:
△		LOCATION:			CHECKED BY:
△		CONTRACTOR:			DATE:
△		CONTROL NUMBER: -	P.O. NUMBER: -		FILE NAME:
△		PROJECT NUMBER: -			JOB NUMBER:
△		ENGINEER:		PAGE:	1 OF 1

P.O. BOX 450049 HOUSTON, TEXAS 77245
 PHONE: 888-359-4267 FAX: 281-437-8913

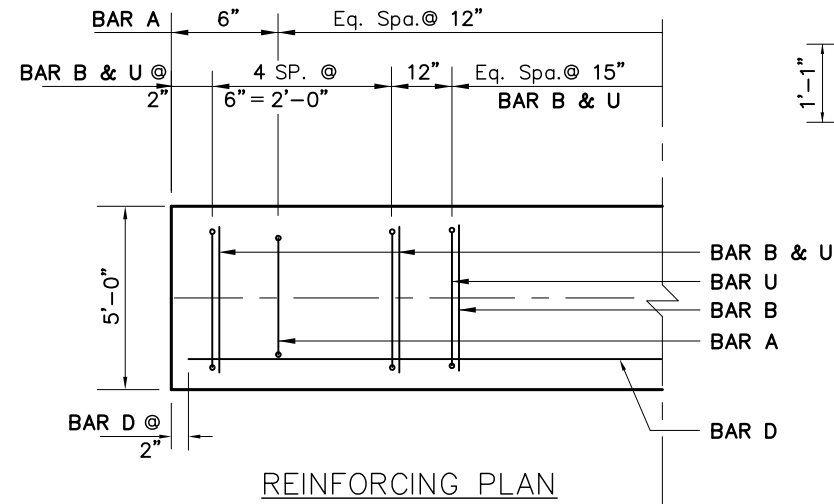


BEAM PLAN BB-1

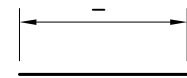
REQ'D. - ?



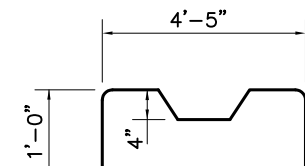
SECTION



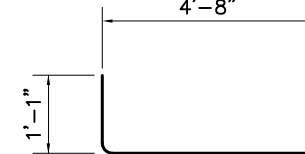
REINFORCING PLAN



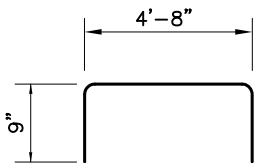
BAR D #6



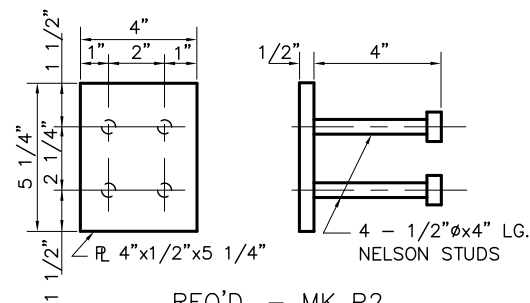
BAR A #4



BAR U #4

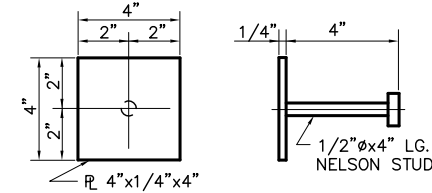


BAR B #4



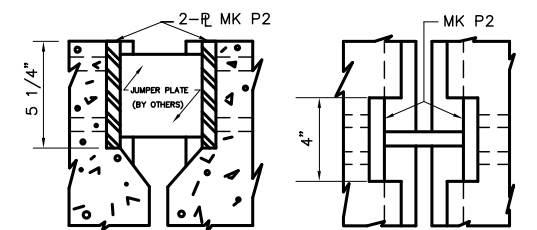
REQ'D. - MK P2

TYPICAL SHEAR CONNECTOR PLATE



REQ'D. - MK P1

WELD PLATE



SECTION

PLAN

SHEAR CONNECTION DETAIL

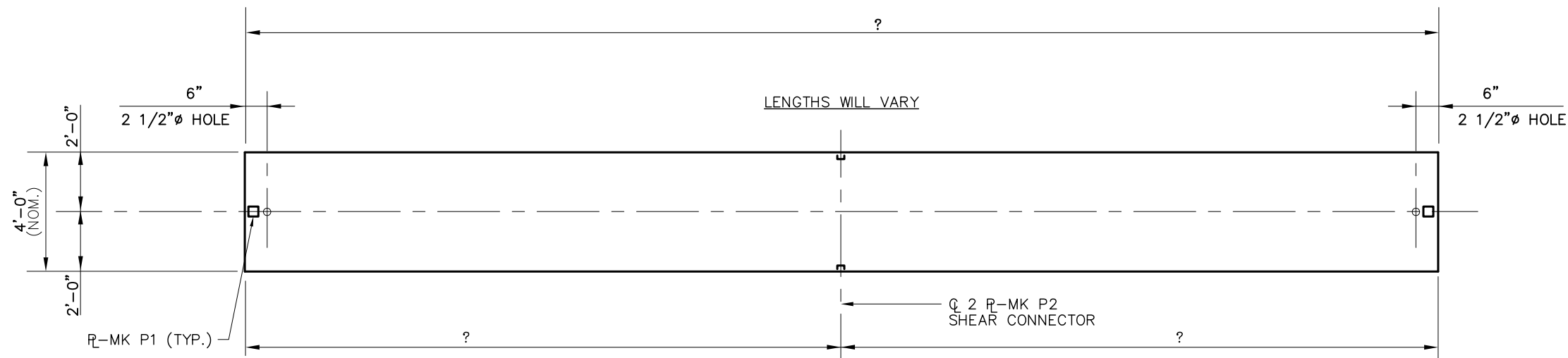
REBAR			
Mk#		Qty.	
BAR B			
BAR D			
BAR A			
BAR U			
FOAM			
Width	Hght	Lngh	Qty.
CONCRETE			
Location		#Yds.	
Bottom			
Top			
Total			

CONCRETE STRENGTHS:

RELEASE 4000psi.
 28-DAY 5000psi.
 BEAM WEIGHT 687.5LBS./LF APROXIMATE

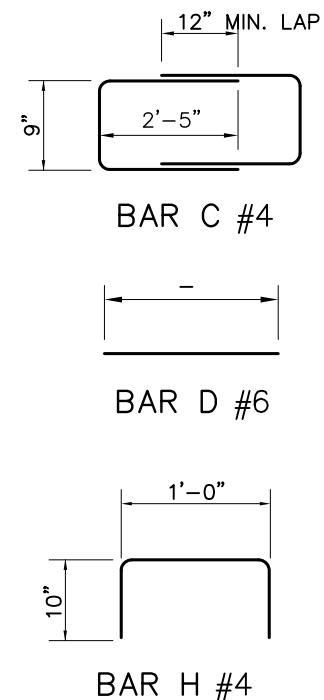
REVISIONS				PROJECT: 16" X 60" STANDARD BOX BEAM			DRAWN BY:
△				LOCATION:			CHECKED BY:
△				CONTRACTOR:			DATE:
△				CONTROL NUMBER: -	P.O. NUMBER: -		FILE NAME:
△				PROJECT NUMBER: -	-		JOB NUMBER:
△				ENGINEER:		PAGE:	
						1 OF 1	

P.O. BOX 450049 HOUSTON, TEXAS 77245
 PHONE: 888-359-4267 FAX: 281-437-8913

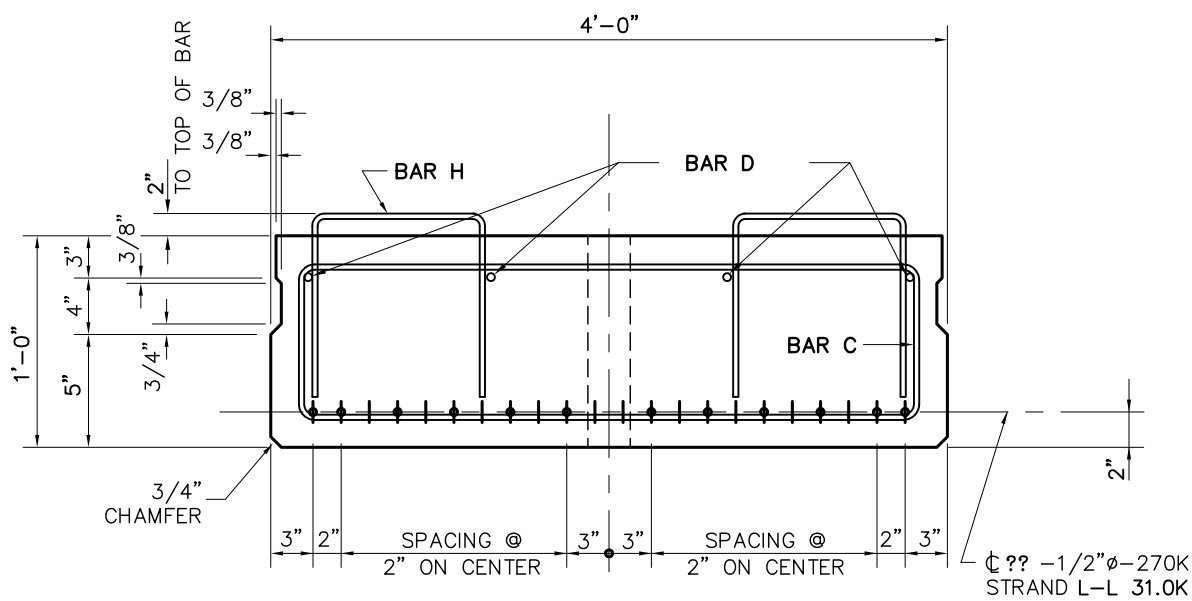


BEAM PLAN SB-1

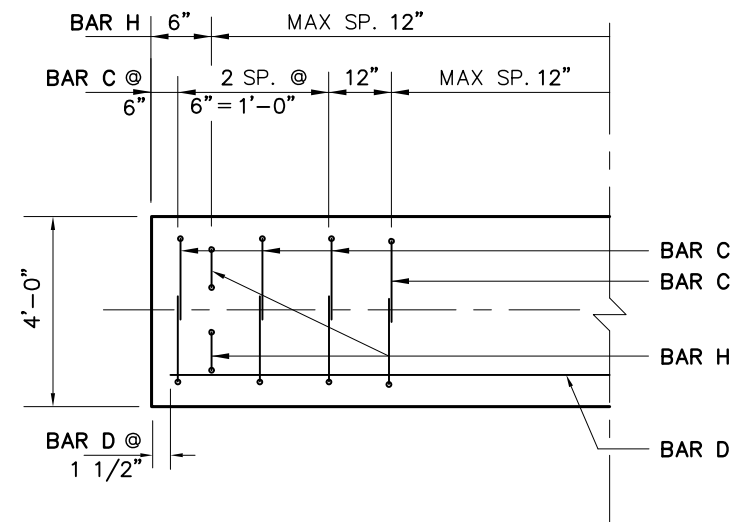
REQ'D. - ?



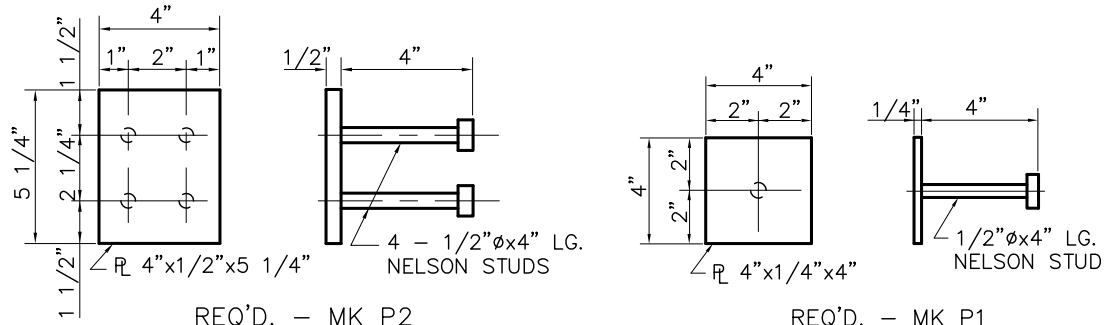
REBAR			
Mk#		Qty.	
BAR C			
BAR D			
BAR H			
FOAM			
Width	Hght	Lngh	Qty.
CONCRETE			
Location		#Yds.	
Bottom			
Top			
Total			



SECTION

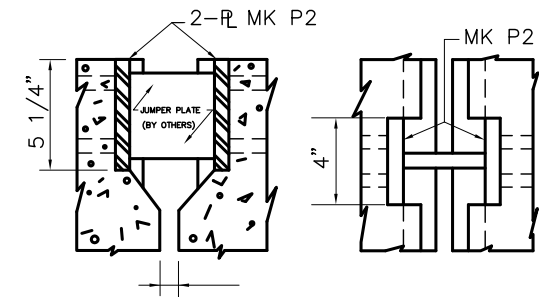


REINFORCING PLAN



TYPICAL SHEAR CONNECTOR PLATE

WELD PLATE



SHEAR CONNECTION DETAIL

CONCRETE STRENGTHS:
 RELEASE 4000psi.
 28-DAY 5000psi.
 BEAM WEIGHT 600LBS./LF APPROXIMATE

REVISIONS		PROJECT: 12" X 48" STANDARD SLAB BEAM		DRAWN BY:	
△		LOCATION:		CHECKED BY:	
△		CONTRACTOR:		DATE:	
△		CONTROL NUMBER: -	P.O. NUMBER: -	FILE NAME:	
△		PROJECT NUMBER: -		JOB NUMBER:	
△		ENGINEER:		PAGE:	



P.O. BOX 450049 HOUSTON, TEXAS 77245
 PHONE: 888-359-4267 FAX: 281-437-8913

